

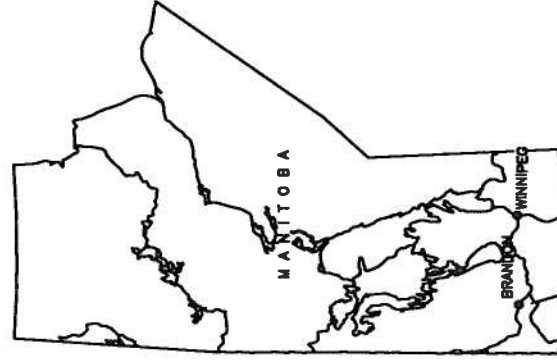
The Manitoba Water Services Board



MUNICIPALITY OF OAKLAND-WAWANESA

LAGOON EFFLUENT DISCHARGE PIPELINE

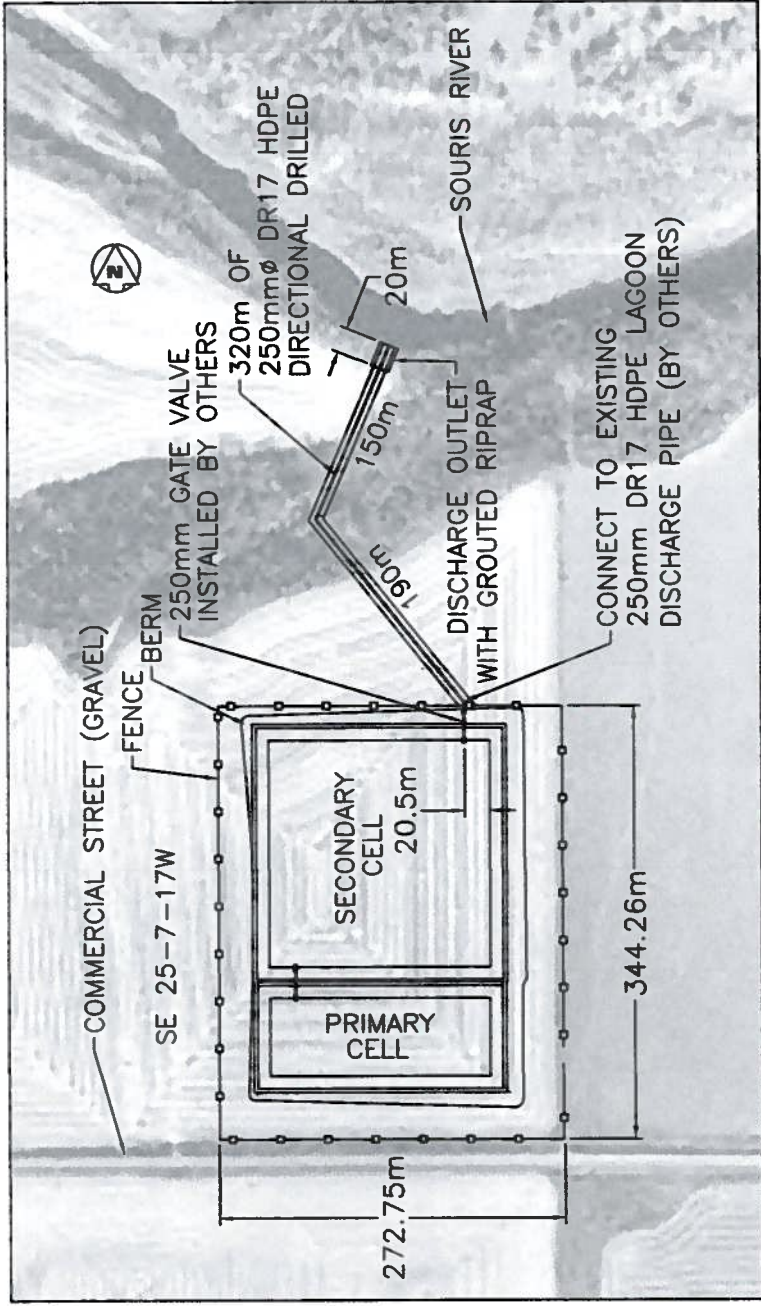
M.W.S.B. No. 1179 JUNE 2015



MUNICIPALITY OF OAKLAND-WAWANESA

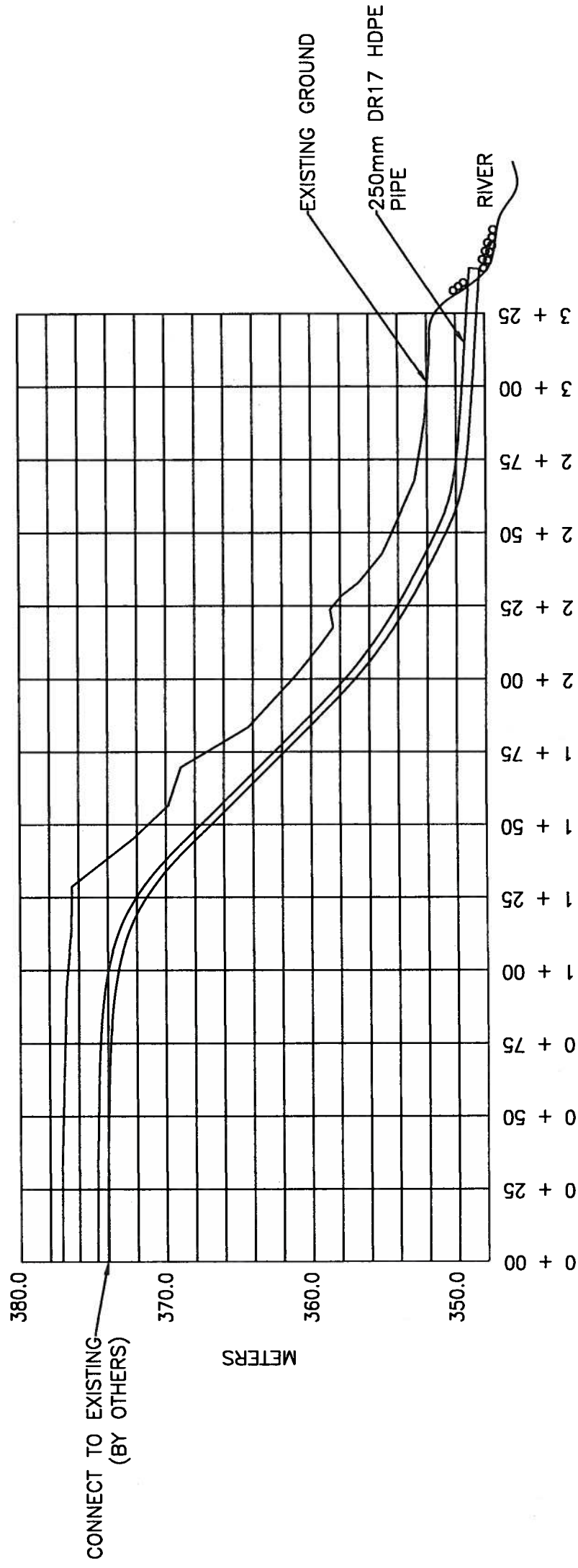
LIST OF PLANS

1. SITE PLANS & PIPE PROFILE
2. DETAILS



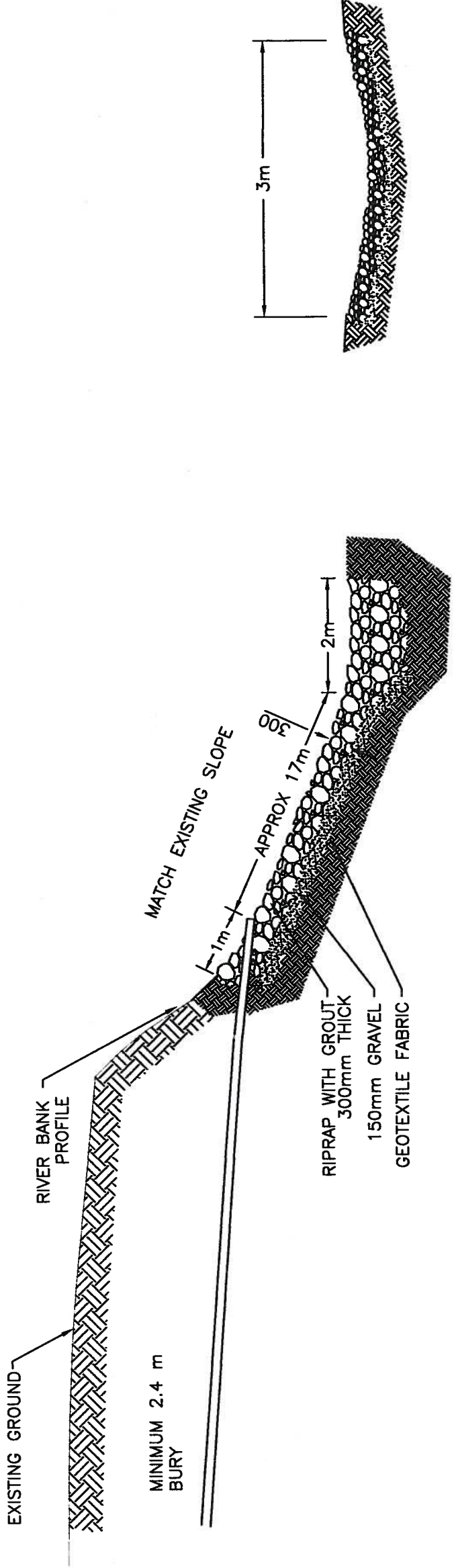
- NOTES:
1. PIPE TO BE INSTALLED IN 10m WIDE EASEMENT
 2. PROVIDE POSITIVE SLOPE, MINIMUM DEPTH OF 2.4m, FROM LAGOON TO DISCHARGE
 3. ALL DISTANCES AND ELEVATIONS SHOWN IN METERS

SITE PLAN



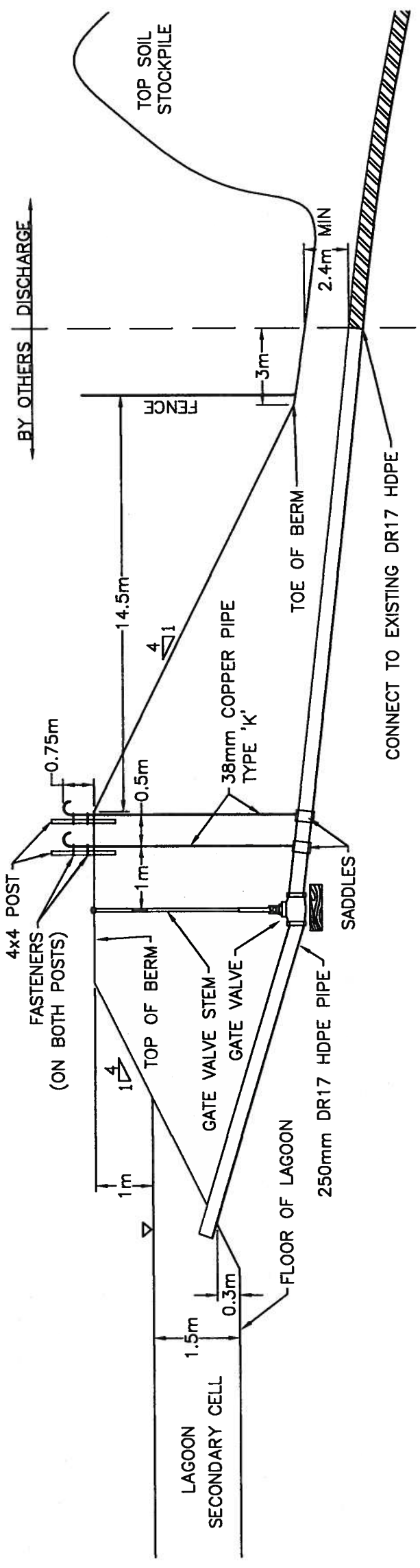
PIPE PROFILE

| | | | | |
|--|------------------------|--------------------------------------|------------------------|------------------------|
| MUNICIPALITY OF OAKLAND-WINNIPEG LAGOON EFFLUENT DISCHARGE PIPELINE | | DATE 18-08-18 PROJECT NUMBER 1179 | | SHEET NUMBER 1 of 2 |
| PROVINCE OF MANITOBA THE MANITOBA WATER SERVICES BOARD MANITOBA MUNICIPAL GOVERNMENT | | APPROVED N. WITTMER | | DATE |
| DESIGNED N. LUCER | CHECKED D. GENAILLE | DRAWN L. CAPALA | PROJECT NUMBER 1179 | SHEET NUMBER 1 of 2 |
| | | | | |
| DESCRIPTION | | | | |



OUTFALL DETAIL
 MFB

OUTFALL CROSS SECTION
 MFB



AIR VACUUM BREAK & GATE VALVE
 MFB

NOTE: HATCHED AREA TO BE WORK COMPLETED

| | | | | | |
|--------------|------|---|-------------|---|----------|
| | | PROVINCE OF MANITOBA THE MANITOBA WATER SERVICES BOARD MANITOBA MUNICIPAL GOVERNMENT | | MUNICIPALITY OF OAKLAKE-WANAMBESA LAGOON EFFLUENT DISCHARGE PIPELINE | |
| DESIGNED BY | DATE | APPROVED BY | DATE | PROJECT NUMBER | SCALE |
| N. LUCHER | | D. GENAILLE | | 1179 | AS SHOWN |
| D. GENAILLE | | L. CAPALA | | | |
| N. WITTMER | | | | | |
| SHEET NUMBER | | | SHEET TOTAL | | |
| | | | 2 of 2 | | |